

ADDENDUM NO. 2

ISSUE DATE: 4/11/2023
FSCJ ITB NUMBER: 2023C-18
FSCJ ITB TITLE: Re-Roof - Advanced Technology Center (ATC) Downtown Campus

The above numbered solicitation is amended as follows:

- Attachment "A" Clarifications, Questions and Answers
- Attachment "B" GetAll Solicitation Holders List a.k.a. Plan Holders List (As of 4/10/2023)
- Attachment "C" Revised Drawing Sheets E101, E102, and E502 to the lightning protection system
- Attachment "D" Campus Map for Advanced Technology Center (ATC)

The hour and date specified for receipt of bids:


is not extended, remains: **April 20, 2023 at 2:00 p.m.**
 is extended until: _____
 posting date is extended until: _____

Except as provided herein, all terms and conditions of the solicitation, including changes made by all prior addenda (if any), remain unchanged and in full force and effect.

Bidders must acknowledge receipt of this addendum prior to the time set for receipt and opening of bids as specified in the solicitation, or as amended, by one of the following methods:

- (a) By signing and returning one copy of this addendum.
- (b) By acknowledging receipt on the copy of the bid submitted.

FAILURE TO ACKNOWLEDGE RECEIPT OF THIS ADDENDUM PRIOR TO THE HOUR AND DATE SPECIFIED MAY RESULT IN REJECTION OF YOUR OFFER. If, by virtue of this addendum, you desire to change an offer already submitted, such change may be made by letter, provided such letter makes reference to the solicitation and this addendum and is received prior to the opening hour and date specified.



Randi Brokvist
Executive Director of Purchasing

(Complete this portion and submit with Submittal Part 1)

TO BE RESPONSIVE ALL BIDDERS MUST ACKNOWLEDGE RECEIPT OF ADDENDUM #2

COMPANY: _____
SIGNATURE: _____
TITLE: _____
DATE: _____

FSCJ ITB TITLE: Re-Roof - Advanced Technology Center (ATC) Downtown Campus

ADDENDUM NO. 2**CLARIFICATIONS**

1. The Question period has expired.
2. **REVISIONS TO DOCUMENTS:** Delete Sheets E101, E102, and E502 and substitute the attached revised sheets. The revised sheets contain revisions to the lightning protection system. (Refer to Attachment "C")

QUESTIONS AND ANSWERS

- **Q:** Do you plan to provide a core sample for the existing roof to determine the depth of the current roof?
A: There is no plan to provide a roof core sample at this time. The building drawings indicate the roof system consists of modified bituminous membrane over rigid insulation over metal deck. The Phase 1 drawings do not appear to indicate whether the building structure is sloped or if the roof insulation is sloped. The Phase 2 drawings provide roof deck elevations that indicate the roof structure is sloped leading one to believe the insulation is of a constant thickness. Considering that Phase 2 appears to have a sloped structure, it is logical to assume Phase 1 does as well considering that both phases were designed by the same design team and chronologically close together. This, however has not been confirmed. The drawings also do not indicate insulation thickness. At the time of this building's construction, the insulation system for buildings of this type was generally polyisocyanurate rigid board with an R-20 rating. This has also not been confirmed.
 - **Q:** Could you provide us with the approved area for loading and storage?
A: The approved area for loading and storage designated in the Student Parking Lot 7 at the Advanced Technology Center (ATC), Refer to Attachment D.
3. **Q:** Can GAF, Firestone, or Carlisle be an approved Manufacturer?
A: No.
 4. **Q:** Due to federal funded projects and the requirement of providing certified payroll reports, whom should these reports be emailed to and how often?
A: The awarded contractor will be required to submit Certified Payroll Reports with Each Payment Application for the period of time in which that Payment Application progress period requesting payment.
 5. **Q:** Does the prime GC bidder require a current GC prequalification certificate on the above referenced solicitation?
A: In respect to Paragraph 1.03:
If your firm is a FSCJ Pre-Qualified General Contractor for the Current Period of 1/1/2023 – 12/31/2023, the FSCJ awarded Pre-Qualified General Constructors' Certificate must be submitted within Part 1 of the submission documents.

Note: In lieu of the FSCJ Issued Pre-Qualification Certificate the FSCJ Notice Of Award of General Contractor Pre-Qualification for the period of January 1, 2023 through December 31, 2023 will be accepted.

FSCJ's current Pre-Qualified General Contractor listing is located at https://www.fscj.edu/docs/default-source/governance/purchasing/prequalified-contractors-web-posting.pdf?sfvrsn=a55af9ec_3.

IF YOUR FIRM IS NOT a Current FSCJ General Contractor Pre-Qualified Contractor, please complete Part 1 Professional Qualifications and Competence Submittal in its entirety.

GetAll Solicitation Holders List a.k.a. Plan Holders List (As of 4/10/2023)

Attachment B

Solicitation: 2023C-18 - Re-Roof - Advanced Technology Center (ATC) Downtown Campus

Company		Viewed Date & Time
Nu Construction Group LLC	daniel@nucgroupsvc.com	Wednesday, March 22, 2023
Stratus Roofing	Ryanr@stratusroofing.com	Monday, March 20, 2023
Supplier View	erfp@syssoft.com	Monday, March 20, 2023
Southern Roofing Company, Inc.	bids@southroof.com	Monday, March 20, 2023
Atlas Apex Roofing, LLC	estimating1@atlasapexusa.com	Monday, March 20, 2023
Akea Inc	dramsey@akeainc.com	Monday, March 20, 2023
Childers Roofing and Sheet Metal a Tecta America, LLC	hallen@tectaaamerica.com	Monday, March 20, 2023
Tadlock Roofing	jose@tadlockroofing.com	Monday, March 20, 2023
Jenkins Roofing, Inc.	vince@jenkinsroofinginc.com	Monday, March 20, 2023
Advanced Roofing, Inc.	debbieg@advancedroofing.com	Monday, March 20, 2023
Polo International, Inc.	jerrysolov@outlook.com	Monday, March 20, 2023
Logan Roofing	david@loganroof.com	Monday, March 20, 2023
Jenkins Roofing, Inc.	office@jenkinsroofinginc.com	Monday, March 20, 2023
KBT Contracting Corp	info@kbtcorp.com	Monday, March 20, 2023
BBG Contracting Group, Inc.	cwhite@bbgcontracting.com	Monday, March 20, 2023
Federal Government Advisors	adam.montgomery@federalgovadvisors.com	Tuesday, March 21, 2023
Welchs Quality Builders and Roofing	mhill@welchroofingcontractors.com	Tuesday, March 21, 2023
Inland Construction and Engineering, Inc.	roof@icecontractor.com	Tuesday, March 21, 2023
Whitesell-Green Inc	mdavis@whitesell-green.com	Tuesday, March 21, 2023
LEGO Construction CO.	nip@legocc.com	Tuesday, March 21, 2023
JV Roofing	jvroofing813@gmail.com	Tuesday, March 21, 2023
AP Construction, LLC	apconstruction2005@gmail.com	Wednesday, March 22, 2023
Coppertop Construction and Roofing LLC	Office@CoppertopConstructionFL.com	Wednesday, March 22, 2023
ConstructConnect	ashley.welker@constructconnect.com	Wednesday, March 22, 2023
PONTIFEX CONSTRUCTION GROUP, INC.	lrodriguez@pontifexgroup.com	Wednesday, March 22, 2023
Land Roofing Company	Landroofingcompany@gmail.com	Wednesday, March 22, 2023
Jacobs MFG LLC	rick@jacobsmfg.net	Thursday, March 23, 2023
Rivers Construction	mike@riversconstruction.com	Friday, March 24, 2023
LEGO Construction	mh@legocc.com	Friday, March 24, 2023
Dodge Data and Analytics	brandi.flanagan@construction.com	Friday, March 24, 2023
Jaalanai, LLC	finance@jaalanai.com	Friday, March 24, 2023
ER ROOTER INC	erreconstruction@gmail.com	Sunday, March 26, 2023
PARROTT ENTERPRISES LLC.	parrottei@gmail.com	Tuesday, March 28, 2023
Lock and key global enterprises	info@lockandkeyglobal.com	Tuesday, March 28, 2023
MRB Contractors LLC	cperry@mrbcg.com	Monday, April 3, 2023
OHaras Son Roofing	jsweeney.822@hotmail.com	Wednesday, March 29, 2023
Tecta America	bmartin@tectaaamerica.com	Thursday, March 30, 2023
Atkins Fick Group, Inc.	TomA@AtkinsFick.com	Friday, March 31, 2023
Blythe Development Co	ehibbler@blythedevelopment.com	Monday, April 3, 2023

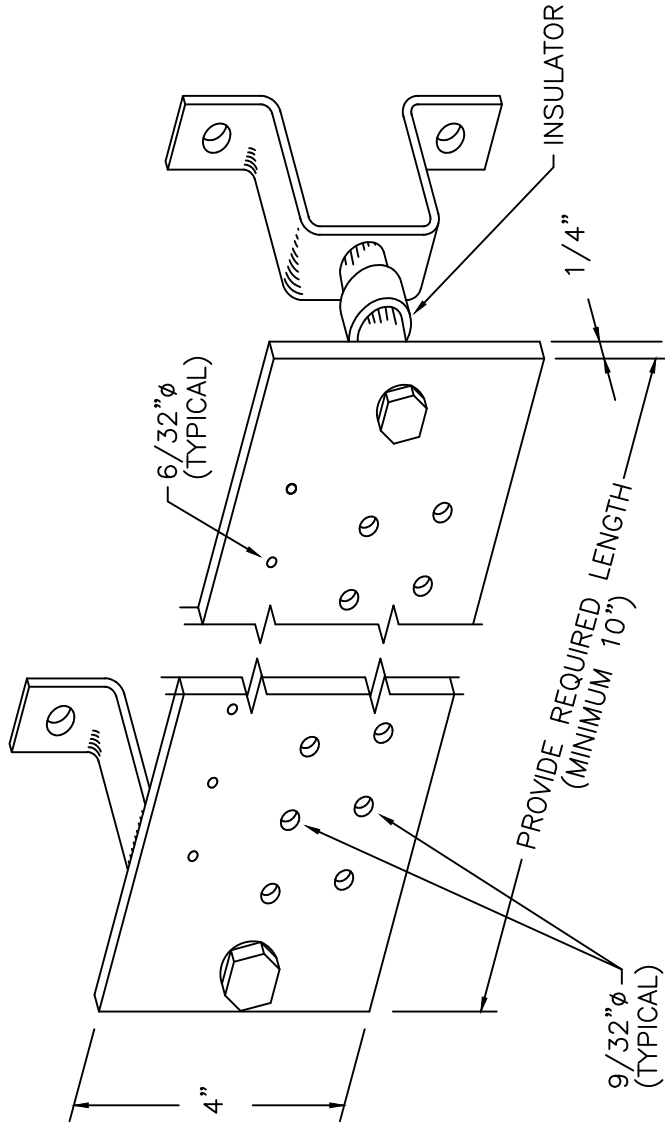
PROMINENT FINANCIAL CONSULTANTS	RALF@PROMINENTFC.COM	Monday, April 3, 2023
Certified Industries, Inc.	budson@certifiedindustries.net	Monday, April 3, 2023
One Rife Ventures LLC	marisa@oneloveenterprises.net	Monday, April 3, 2023
Newgentek	Tom.Hubler@newgentek.com	Tuesday, April 4, 2023
Register Roofing and Sheet Metal, Inc.	marianna@registerroofing.com	Wednesday, April 5, 2023
Pickens Contracting	estimating@pickenscontracting.com	Wednesday, April 5, 2023
Wildcard Corp	proposals@wildcardcorp.com	Wednesday, April 5, 2023
Atlantic Coast Construction Group	bradc@atlcoast.org	Friday, April 7, 2023
Sunrise City CHDO Inc	rodwaller1@gmail.com	Monday, April 10, 2023

Next 3 pages



1

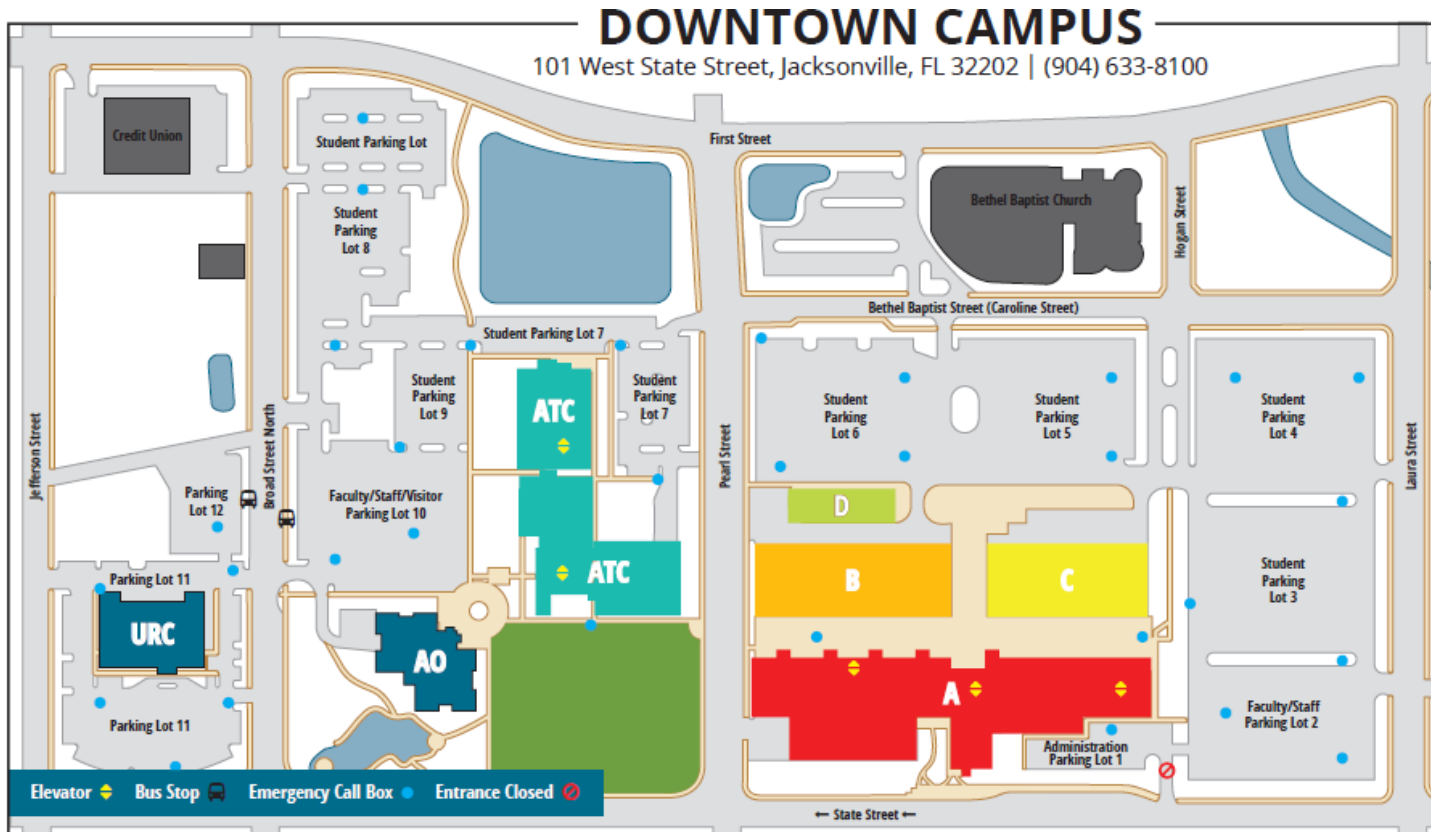
0



NOTE: MOUNT AT 24" A.F.F.

1. ALL CONNECTIONS SHALL USE THROUGH BOLT WITH COMPRESSION WASHER AND NUT OR BE EXOTHERMICALLY WELDED.
2. LENGTH TO BE DETERMINED BY THE REQUIRED NUMBER OF CONNECTIONS. FIELD DETERMINE PRIOR TO INSTALLATION. COORDINATE WITH FCPS TECHNOLOGY AND ENGINEER OF RECORD.
3. ALL CONNECTIONS MUST BE MADE TO THE FRONT SIDE OF THE BAR.

GROUND BUS BAR



BUILDING A

Adult Education Program, Advising Center, Art Gallery, Assessment and Certification Center, Auditorium, Cafeteria/Vending, Career Development, CareerSource, Childcare Training Program, Classrooms, Early Childhood Education Program, Enrollment Services, ESOL, Foreign Language Lab, Liberal Arts, Library and Tutoring Services, Project Achieve, Science Classrooms/Labs, Security Office, Student Financial Services, Student Support Services, VERC Program, YearUp Program

BUILDING B

Bookstore, Construction, Trade and Industry Classrooms/Labs, Welding

BUILDING C

Café Frisch, Child Development Center, Classrooms, College ID Card, Culinary Arts, Fitness Center, Student Life

BUILDING D

Automotive Technology Classrooms/Labs

ADVANCED TECHNOLOGY CENTER (ATC)

Automotive Technology Program, Business and Office Management, CADD Lab, Campus Operations, Classrooms, Computer Integrated Manufacturing Labs, Electronics Labs, Flex Labs, Logistics, Network Technology Department/Labs, Science Labs, Security Desk

Florida State College at Jacksonville is a member of the Florida College System and is not affiliated with any other public or private university or college in Florida or elsewhere.

Florida State College at Jacksonville does not discriminate against any person on the basis of race, color, ethnicity, genetic information, national origin, religion, gender, marital status, disability, or age in its programs or activities. Inquiries regarding the non-discrimination policies may be directed to the College's Equity Officer, 501 West State Street, Jacksonville, Florida 32202 | (904) 632-3221 | equityofficer@fscj.edu.

Florida State College at Jacksonville is accredited by the Southern Association of Colleges and Schools Commission on Colleges to award the baccalaureate and associate degree. Contact the Commission on Colleges at 1866 Southern Lane, Decatur, Georgia 30033-4097, or call (404) 679-4500 for questions about the accreditation of Florida State College at Jacksonville. The Commission is to be contacted only if there is evidence that appears to support an institution's significant non-compliance with a requirement or standard.