



Fire Science Technology (2911) | A.S. Degree

PROGRAM DESCRIPTION

The Associate in Science (A.S.) in Fire Science Technology educates students on the strategies for providing fire protection in a community through the study of subjects such as fire behavior and combustion, fire prevention, fire protection systems, fire chemistry and more. The program is designed to prepare students for entry or advancement in the fire service or in a related fire protection field.

Students who hold a current EMT or Paramedic certification are eligible for articulated elective credits in the program. Additionally, prospective students that hold various firefighter certifications, such as Pump Operator, Fire Inspector, Fire Officer, Minimum Standards, etc., are also eligible for articulation credit.

Fire Science Cadet Academy - This cohort begins each Fall Term.

Students interested in earning the credential to becoming a Florida Certified Firefighter and Emergency Medical Technician while simultaneously earning the A.S. should contact Professor Robert Massicotte at firetech@fscj.edu.

ENTRY REQUIREMENTS

- High school diploma or high school equivalent
- Background check and drug screening
- Medical exam and proof of immunizations
- Physical test
- Check the catalog to learn about all course and program prerequisites

AT-A-GLANCE

- 60 Credit Hours
- Financial Aid Eligible
- Face-to-Face and Online Courses
- Embedded Technical Certificate:
 - Fire Officer Supervisor T.C.

CONTACT

firetech@fscj.edu

Apply online at fscj.edu/admissions.

FREQUENTLY ASKED QUESTIONS

When can I start?

New student enrollment for this program begins every year during the Fall Term. However, FSCJ enrolls students year-round. The Fire Science Cadet Academy starts every Fall Term.

Where are the educational courses held?

General education courses are offered at any of FSCJ's campuses and centers, as well as online. The professional core courses for this program are offered at FSCJ South Campus and FSCJ Online.

What is the cost of the program?

Many students attending FSCJ qualify for financial aid, which can greatly reduce out-of-pocket expenses. This program is Federal financial aid eligible. *The approximate cost of tuition and fees is \$6,293.**

Besides tuition and fees, students have to pay for things like living expenses, transportation, supplies and books. Book costs vary widely by program and course selection as well as choice of electives; students are encouraged to budget about \$60 per credit hour.

**Tuition reflects Florida resident rates and are subject to change. Certain classes that require labs may have additional fees for lab supplies. Additional fees are published in the class schedule.*

What other programs are related to the field?

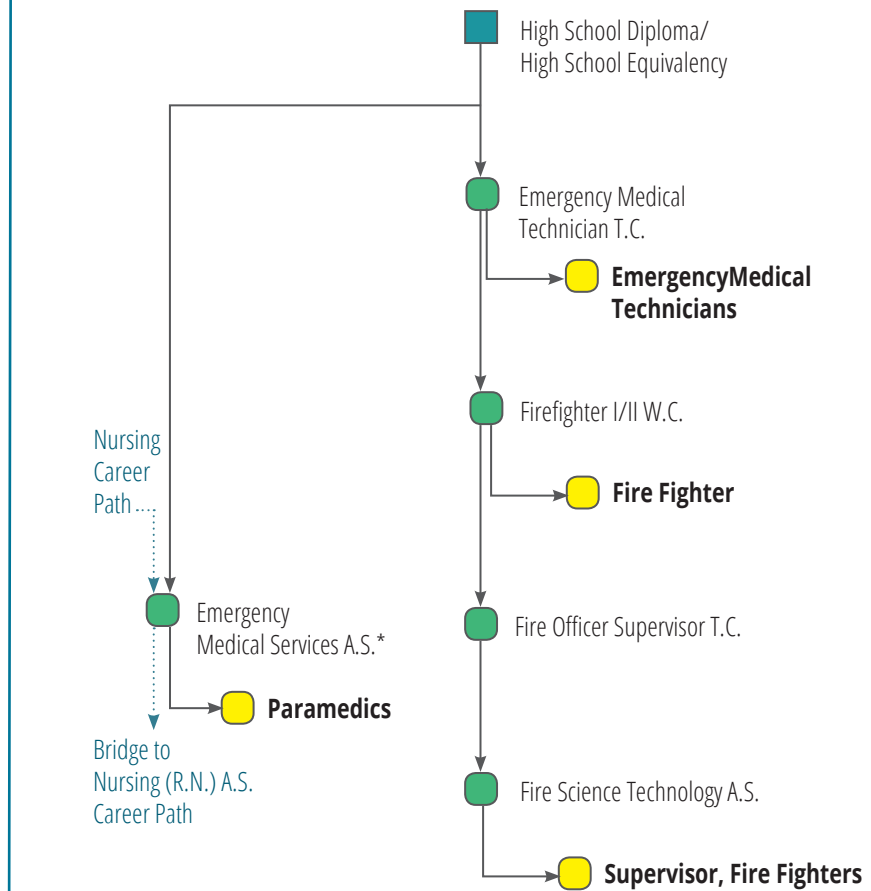
Students who have an interest in the Fire Science Technology (A.S.) may also be interested in the following FSCJ programs:

- Public Safety Management (B.A.S.)
- Emergency Administration and Management (A.S.)

Where can I get more information about potential careers?

Research local job opportunities, wage data, career paths and market trends at fscj.emsicareercoach.com.

CAREER PATHWAYS



JOB PROFILE

Duval and Nassau Counties

First-Line Supervisors of Fire Fighting and Prevention Workers

Local employment	187
Number of job openings	12/year
10-year job growth	1%

Expected salaries by area and occupation may be found at bls.gov

Potential employers:

- American Red Cross
- GAT Airline Ground Support
- Jacksonville Aviation Authority
- Jacksonville Fire and Rescue Department
- Jacksonville Transportation Authority
- Jacksonville Zoo and Gardens